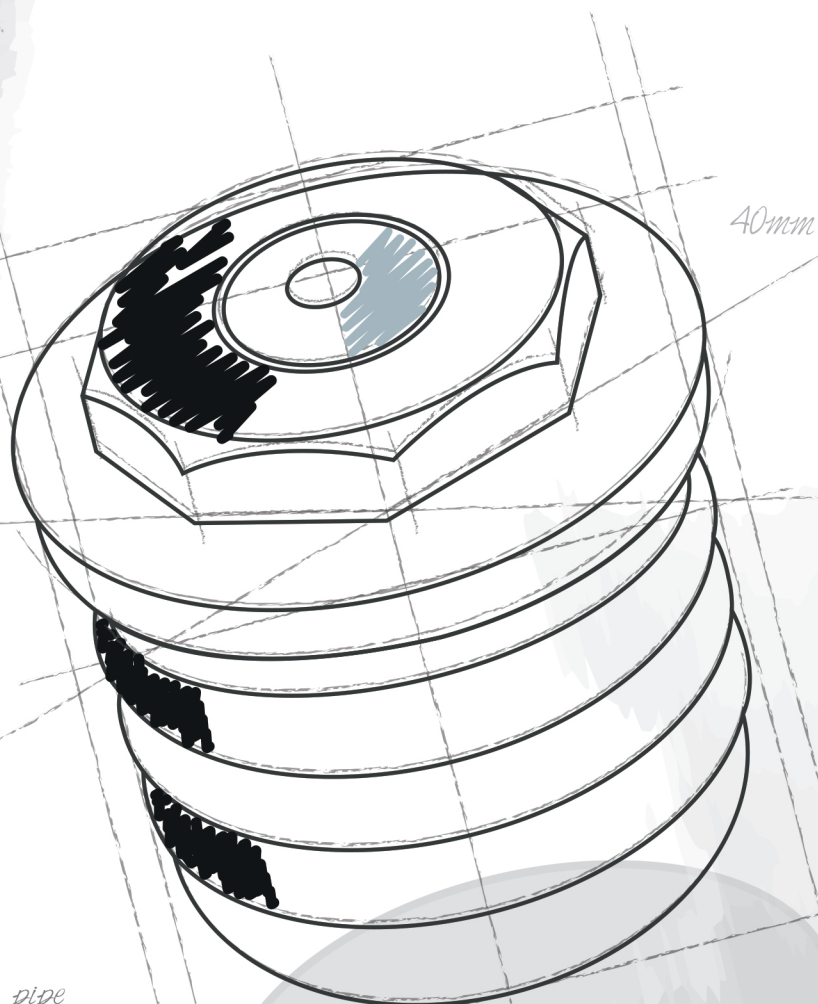




30mm



40mm

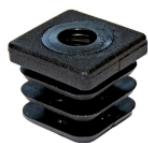
ACCESSORI TUBI
E ARREDO

Accessories for pipe
and furniture

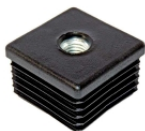
ACCESSORI TUBI E ARREDO

Accessories for pipe and furniture

ACCESSORIES PIPES



THREADED ROUND INSERT
Pag. 4



METAL-THREADED INSERTS
Pag. 5



INCLINED RIBBED INSERTS
FOR SQUARE TUBES
Pag. 6



METAL-THREADED INSERTS
Pag. 7



RIBBED INSERTS WITH
VARIABLE ANGLED BASE
Pag. 8



INCLINED RIBBED INSERTS
FOR RECTANGULAR TUBES
Pag. 9



THREADED ROUND INSERT
Pag. 10



ANGLED GLIDES FOR ROUND
TUBES
Pag. 11



ASSEMBLED THREADED
INSERTS FOR ROUND TUBES
WITH METAL NUTS
Pag. 13



THREADED INSERTS FOR
OVAL TUBES WITH PRESSED-
IN HIGH NUT
Pag. 15



ANGLES GLIDES WITH
VARIABLE ANGLED SLIDE
BASE FOR OVAL TUBES
Pag. 16



ADJUSTABLE FEETS FOR
ROUND TUBES
Pag. 17



ADJUSTABLE FEETS FOR
ROUND TUBES WITH SLIP
STOPPER
Pag. 18



ADJUSTABLE FEETS FOR
SQUARE TUBES
Pag. 19



ADJUSTABLE FEETS FOR
SQUARE TUBES WITH SLIP
STOPPER
Pag. 20



ADJUSTABLE FEETS FOR
OVAL TUBES
Pag. 21



ADJUSTABLE FEETS FOR
OVAL TUBES WITH SLIP
STOPPER
Pag. 22



HEAVY DUTY TILT GLIDES
WITH PLASTIC SLIDE BASE
Pag. 23



HEAVY DUTY TILT GLIDES
WITH SOFT NON SLIPPING
PLASTIC SLIDE BASE
Pag. 24



HEAVY DUTY TILT GLIDES
WITH FELT SLIDE BASE
Pag. 25



HEAVY DUTY TILT GLIDES
WITH STAINLESS STEEL
SLIDE BASE
Pag. 26



GROMMET FEET
Pag. 27



ARTICULATED FEET - PP
BASE
Pag. 28



ANGLED CAPS FEETS FOR
PROFILES
Pag. 29

ACCESSORIES PIPES



CLAMPING SADDLE FEETS
Pag. 30



LIGHT DUTY CLAMPING
SADDLE FEETS
Pag. 31



SQUARE TUBE CONNECTORS
Pag. 32



ROUND TUBE CONNECTORS
Pag. 33



HINGED TUBE CONNECTORS
Pag. 34



MULTI-WAY TUBE
CONNECTORS FOR SQUARE
TUBES
Pag. 35



CONNECTORS
Pag. 36



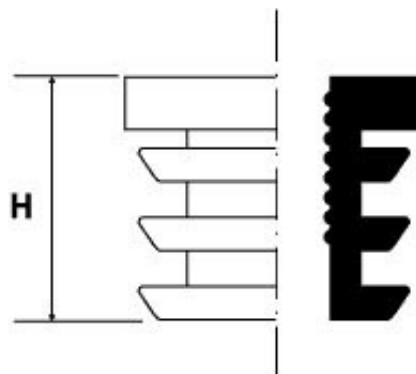
ABS ROUND CABLE DUCTS
FOR DESK
Pag. 37



CHROMED STEEL ROUND
CABLE DUCTS FOR DESK
Pag. 38

THREADED ROUND INSERT

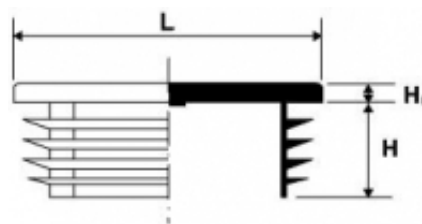
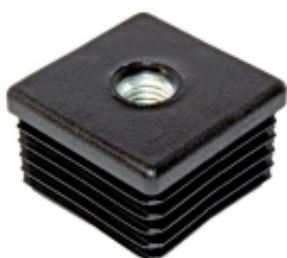
DESCRIPTION	
MATERIAL	POLYTHENE (LDPE)
COLOR	BLACK
NOTE	



CODE	D	H	THREAD	MAX LOADED	MIN. TUBE THICKNESS	MAX. TUBE THICKNESS
ILQF20M8	20X20	21.5	M8	300 Kg.	1.5	2
ILQF22M8	22X22	21.5	M8	300 Kg.	1.5	2
ILQF25M8	25X25	21.5	M8	300 Kg.	1.5	2
ILQF30M8	30X30	21.5	M8	300 Kg.	1.5	2
ILQF35M8	35X35	29	M8	300 Kg.	1.5	2
ILQF20M10	20X20	21.5	M10	300 Kg.	1.5	2
ILQF22M10	22X22	21.5	M10	300 Kg.	1.5	2
ILQF25M10	25X25	21.5	M10	300 Kg.	1.5	2
ILQF30M10	30X30	21.5	M10	300 Kg.	1.5	2
ILQF35M10	35X35	29	M10	300 Kg.	1.5	2
ILQF25M12	25X25	21.5	M12	300 Kg.	1.5	2
ILQF30M12	30X30	21.5	M12	300 Kg.	1.5	2
ILQF35M12	35X35	29	M12	300 Kg.	1.5	2

METAL-THREADED INSERTS

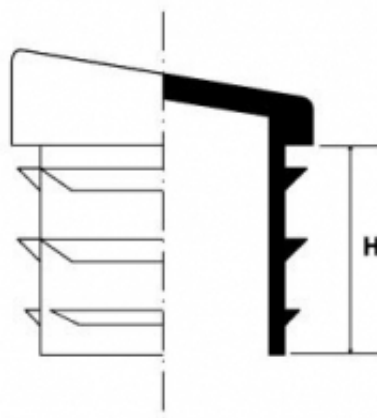
DESCRIPTION	
MATERIAL	HDPE with Steel Nut
COLOR	
NOTE	Heavy-duty insert Ideal for use with adjustable feet, tilt glides and castors Mild steel thread provides strong fixing Metal thread allows smooth repeatable adjustment



CODE	H	H1	L	THREAD	TUBE THICKNESS
ILQFA19M6	5	20	19	M6	1.0 - 1.5
ILQFA20M6	5	20	20	M6	1.0 - 1.5
ILQFA25M6	5	20	25	M6	1.0 - 1.5
ILQFA20M8	5	20	20	M8	1.0 - 1.5
ILQFA25M8	5	20	25	M8	1.0 - 1.5
ILQFA30M8	5	20	30	M8	1.0 - 1.5
ILQFA35M8	5	20	35	M8	1.0 - 1.5
ILQFA40M8	5	20	40	M8	1.0 - 1.5
ILQFA50M8	5	20	50	M8	1.0 - 1.5
ILQFA30M10	5	20	30	M10	1.0 - 1.5
ILQFA35M10	5	20	35	M10	1.0 - 1.5
ILQFA40M10	5	20	40	M10	1.0 - 1.5
ILQFA50M10	5	20	50	M10	1.0 - 1.5
ILQFA40M12	5	20	40	M12	1.0 - 1.5
ILQFA50M12	5	20	50	M12	1.0 - 1.5

INCLINED RIBBED INSERTS FOR SQUARE TUBES

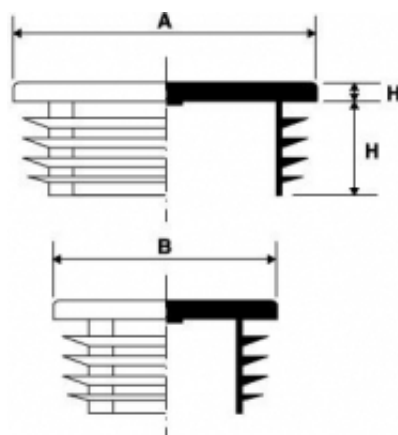
DESCRIPTION	
MATERIAL	POLYTHENE (LDPE)
COLOR	BLACK
NOTE	



CODE	H	ANGLE	TUBE THICKNESS	AxB
ILQA15	12	10°	1-2	15x15
ILQA16	12	10°	1-2	16x16
ILQA18	12	10°	1-2	18x18
ILQA20	12	10°	1-2	20x20
ILQA25	15	10°	1-2	25x25

METAL-THREADED INSERTS

DESCRIPTION	
MATERIAL	HDPE with Steel Nut
COLOR	
NOTE	Heavy-duty insert Ideal for use with adjustable feet, tilt glides and castors Mild steel thread provides strong fixing Metal thread allows smooth repeatable adjustment



CODE	H	H1	THREAD	TUBE THICKNESS	AxB
ILRFA30X20M8	5	20	M8	1.0 - 1.5	30 x 20
ILRFA30X20M10	5	20	M10	1.0 - 1.5	30 x 20
ILRFA40X20M8	5	20	M8	1.0 - 1.5	40 x 20
ILRFA40X20M10	5	20	M10	1.0 - 1.5	40 x 20
ILRFA40X30M8	5	20	M8	1.0 - 1.5	40 x 30
ILRFA40X30M10	5	20	M10	1.0 - 1.5	40 x 30
ILRFA50X25M8	5	20	M8	1.0 - 1.5	50 x 25
ILRFA50X25M10	5	20	M10	1.0 - 1.5	50 x 25
ILRFA50X30M8	5	20	M8	1.0 - 1.5	50 x 30
ILRFA50X30M10	5	20	M10	1.0 - 1.5	50 x 30
ILRFA60X30M8	5	20	M8	1.0 - 1.5	60 x 30
ILRFA60X30M10	5	20	M10	1.0 - 1.5	60 x 30

RIBBED INSERTS WITH VARIABLE ANGLED BASE

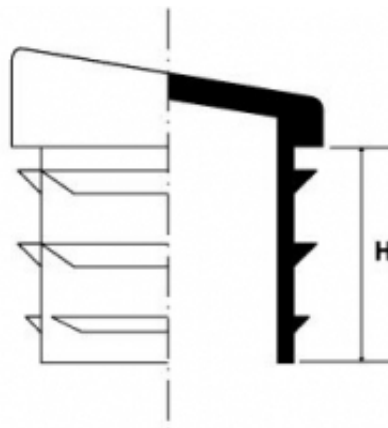
DESCRIPTION	
MATERIAL	POLYTHENE (LDPE)
COLOR	WHITE OR BLACK
NOTE	



CODE	H	ANGLE	TUBE THICKNESS	AxB	TYPE
ILRV50X25	24,5	20-36°	1,5	50X25	1

INCLINED RIBBED INSERTS FOR RECTANGULAR TUBES

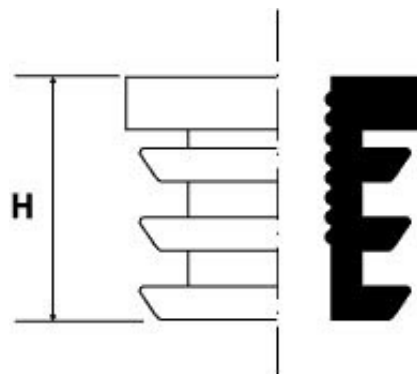
DESCRIPTION	
MATERIAL	POLYTHENE (LDPE)
COLOR	BLACK
NOTE	



CODE	H	ANGLE	TUBE THICKNESS	AxB
ILQR20X15	12	10°	1-2	20x15
ILQR25X15	12	10°	1-2	25x15
ILQR30X15	12	10°	1-2	30x15
ILQR30X20	15	10°	1-2	30x20

THREADED ROUND INSERT

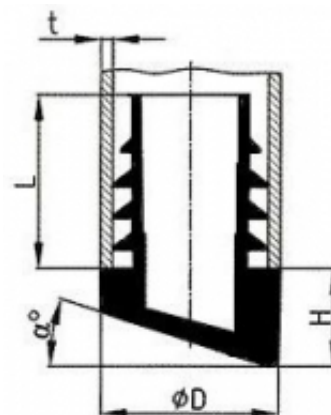
DESCRIPTION	
MATERIAL	POLYTHENE (LDPE)
COLOR	BLACK
NOTE	



CODE	D	H	THREAD	MAX LOADED	MIN. TUBE THICKNESS	MAX. TUBE THICKNESS
ILTF22M8	22	21.5	M8	300 Kg.	1.5	2
ILTF25M8	25	21.5	M8	300 Kg.	1.5	2
ILTF28M8	28	21.5	M8	300 Kg.	1.5	2
ILTF30M8	30	21.5	M8	300 Kg.	1.5	2
ILTF32M8	32	29	M8	300 Kg.	1.5	2
ILTF35M8	35	29	M8	300 Kg.	1.5	2
ILTF38M8	38	29	M8	300 Kg.	1.5	2
ILTF40M8	40	29	M8	300 Kg.	1.5	2
ILTF42M8	42	29	M8	300 Kg.	1.5	2
ILTF22M10	22	21.5	M10	300 Kg.	1.5	2
ILTF25M10	25	21.5	M10	300 Kg.	1.5	2
ILTF28M10	28	21.5	M10	300 Kg.	1.5	2
ILTF30M10	30	21.5	M10	300 Kg.	1.5	2
ILTF32M10	32	29	M10	300 Kg.	1.5	2
ILTF35M10	35	29	M10	300 Kg.	1.5	2
ILTF38M10	38	29	M10	300 Kg.	1.5	2
ILTF40M10	40	29	M10	300 Kg.	1.5	2
ILTF42M10	42	29	M10	300 Kg.	1.5	2
ILTF25M12	25	21.5	M12	300 Kg.	1.5	2
ILTF28M12	28	21.5	M12	300 Kg.	1.5	2
ILTF30M12	30	21.5	M12	300 Kg.	1.5	2
ILTF32M12	32	29	M12	300 Kg.	1.5	2
ILTF35M12	35	29	M12	300 Kg.	1.5	2
ILTF38M12	38	29	M12	300 Kg.	1.5	2
ILTF40M12	40	29	M12	300 Kg.	1.5	2
ILTF42M12	42	29	M12	300 Kg.	1.5	2

ANGLED GLIDES FOR ROUND TUBES

DESCRIPTION	
MATERIAL	PE
COLOR	BLACK
NOTE	

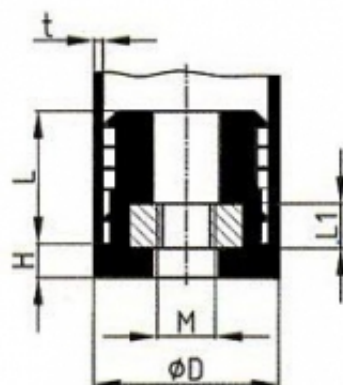


CODE	D	H	L	T	ANGLE
ITI16X2-2,5/6	16	6,5	20	2-2,5	6
ITI16X2-2,5/9	16	6,8	20	2-2,5	9
ITI16X2-2,5/12	16	7,2	20	2-2,5	12
ITI16X2-2,5/15	16	7,9	20	2-2,5	15
ITI16X2-2,5/18	16	9,5	20	2-2,5	18
ITI16X2-2,5/21	16	9,7	20	2-2,5	21
ITI16X2-2,5/24	16	10,4	20	2-2,5	24
ITI18X1,5-2/6	18	6,5	20	1,5-2	6
ITI18X1,5-2/9	18	6,7	20	1,5-2	9
ITI18X1,5-2/12	18	7,2	20	1,5-2	12
ITI18X1,5-2/15	18	9	20	1,5-2	15
ITI18X1,5-2/18	18	9,3	20	1,5-2	18
ITI18X1,5-2/21	18	11	20	1,5-2	21
ITI18X1,5-2/24	18	11,4	20	1,5-2	24
ITI19X1,5-2/6	19	6,7	20	1,5-2	6
ITI19X2-2,5/6	19	6,7	20	2-2,5	6
ITI19X1,5-2/9	19	7	20	1,5-2	9
ITI19X2-2,5/9	19	7	20	2-2,5	9
ITI19X1,5-2/12	19	7,5	20	1,5-2	12
ITI19X2-2,5/12	19	7,5	20	2-2,5	12
ITI19X1,5-2/15	19	9,2	20	1,5-2	15
ITI19X2-2,5/15	19	9,2	20	2-2,5	15
ITI19X1,5-2/18	19	9,6	20	1,5-2	18
ITI19X2-2,5/18	19	9,6	20	2-2,5	18
ITI19X1,5-2/21	19	11	20	1,5-2	21
ITI19X2-2,5/21	19	11	20	2-2,5	21
ITI19X1,5-2/24	19	11,5	20	1,5-2	24
ITI19X2-2,5/24	19	11,5	20	2-2,5	24
ITI20X1,5-2/6	20	7	20	1,5-2	6
ITI20X2-2,5/6	20	7	20	2-2,5	6

CODE	D	H	L	T	ANGLE
ITI20X1,5-2/9	20	7	20	1,5-2	9
ITI20X2-2,5/9	20	7	20	2-2,5	9
ITI20X1,5-2/12	20	9	20	1,5-2	12
ITI20X2-2,5/12	20	9	20	2-2,5	12
ITI20X1,5-2/15	20	10	20	1,5-2	15
ITI20X2-2,5/15	20	10	20	2-2,5	15
ITI20X1,5-2/18	20	11	20	1,5-2	18
ITI20X2-2,5/18	20	11	20	2-2,5	18
ITI20X1,5-2/21	20	11,8	20	1,5-2	21
ITI20X2-2,5/21	20	11,8	20	2-2,5	21
ITI20X1,5-2/24	20	12	20	1,5-2	24
ITI20X2-2,5/24	20	12	20	2-2,5	24
ITI22X1,5-2/6	22	7	20	1,5-2	6
ITI22X2-2,5/6	22	7	20	2-2,5	6
ITI22X1,5-2/9	22	7,8	20	1,5-2	9
ITI22X2-2,5/9	22	7,8	20	2-2,5	9
ITI22X1,5-2/12	22	8	20	1,5-2	12
ITI22X2-2,5/12	22	8	20	2-2,5	12
ITI22X1,2-2/15	22	10	20	1,2-2	15
ITI22X2,5-3/15	22	10	20	2,5-3	15
ITI22X1,5-2/18	22	10	20	1,5-2	18
ITI22X2-2,5/18	22	10	20	2-2,5	18
ITI22X1,5-2/21	22	11,5	20	1,5-2	21
ITI22X2-2,5/21	22	11,5	20	2-2,5	21
ITI22X1,5-2/24	22	12	20	1,5-2	24
ITI22X2-2,5/24	22	12	20	2-2,5	24
ITI25X1,5-2/6	25	7,2	20	1,5-2	6
ITI25X2-2,5/6	25	7,2	20	2-2,5	6
ITI25X1,5-2/9	25	8,5	20	1,5-2	9
ITI25X1,5-2/12	25	9,5	20	1,5-2	12
ITI25X1,5-2/15	25	12	20	1,5-2	15
ITI25X1,5-2/18	25	12	20	1,5-2	18
ITI25X1,5-2/21	25	12,7	20	1,5-2	21
ITI25X2-2,5/21	25	12,7	20	2-2,5	21
ITI25X1,5-2/24	25	13,5	20	1,5-2	24
ITI25X2-2,5/24	25	13,5	20	2-2,5	24

ASSEMBLED THREADED INSERTS FOR ROUND TUBES WITH METAL NUTS

DESCRIPTION	
MATERIAL	NYLON
COLOR	BLACK
NOTE	

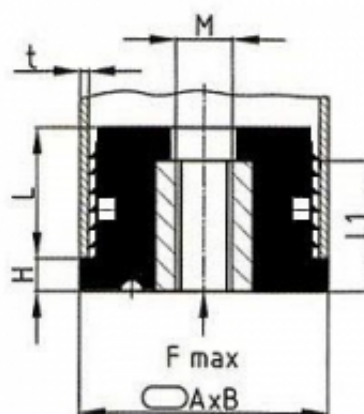


CODE	D	H	L	L1	T	THREAD
ILTFA16X1M5	16	5	34	-	1	M5
ILTFA16X1,5M5	16	-	39	-	1,5	M5
ILTFA16X1,5M5B	16	5	34	-	1,5	M5
ILTFA18X1,25 M5	18	5	34	-	1,25	M5
ILTFA16X0,75M6	16	5	35	4,8	0,75	M6
ILTFA16X1M6	16	5	34	-	1	M6
ILTFA16X1,5 M6	16	5	34	-	1,5	M6
ILTFA20X0,5M6	20	5	34	-	0,5	M6
ILTFA20X0,75M6	20	5	34	-	0,75	M6
ILTFA20X1,5 M6	20	5	34	-	1,5	M6
ILTFA25X1,5-2 M6	25	5	34	-	1,5-2	M6
ILTFA28X1,5-2 M6	28	5	34	-	1,5-2	M6
ILTFA32X1,5-2 M6	32	-	38	-	1,5	M6
ILTFA38X1,2M6	38	5	33	-	1,2	M6
ILTFA38X1,2M6B	38	-	38	-	1,5	M6
ILTFA19X1,5 M8	19	5	34	-	1,5	M8
ILTFA20X1-1,5 M8	20	5	35	6,5	1-1,5	M8
ILTFA20X1 M8	20	5	35	6,5	1	M8
ILTFA22X1M8	22	5	34	-	1	M8
ILTFA22X1,5 M8	22	5	35	6,5	1,5	M8
ILTFA22X2M8	22	5	35	6,5	2	M8
ILTFA22X2M8B	22	-	39	-	2	M8
ILTFA25X1,5-2 M8	25	5	35	6,5	1,5-2	M8
ILTFA25X1,5-2 M8B	25	5	34	-	1,5-2	M8
ILTFA25X2,5M8	25	5	35	6,5	2,5	M8
ILTFA28X1-1,5M8	28	5	35	6,5	1-1,5	M8
ILTFA28X2M8	28	5	35	6,5	2	M8
ILTFA30X1 M8	30	5	35	6,5	1	M8
ILTFA30X1,5-2 M8	30	5	35	6,5	1,5-2	M8

CODE	D	H	L	L1	T	THREAD
ILTFA32X1,5-2M8	32	5	35	6,5	1,5-2	M8
ILTFA32X1,5-2M8B	32	5	34	-	1,5-2	M8
ILTFA35X1,5-2 M8	35	5	34	-	1,5-2	M8
ILTFA35X2,5M8	35	5	34	-	2,5	M8
ILTFA38X2M8	38	5	35	6,5	2	M8
ILTFA40X1,5 M8	40	-	39	-	1,5	M8
ILTFA40X1,5-2M8	40	5	34	-	1,5-2	M8
ILTFA45X1,5-2M8	45	5	34	-	1,5-2	M8
ILTFA50X1,5 M8	50	5	34	-	1,5	M8
ILTFA50X1,5 M8	50	5	34	-	1,5	M8
ILTFA50X2 M8	50	5	34	-	2	M8
ILTFA50X3M8	50	5	34	-	3	M8
ILTFA60X2 M8	60	5	34	-	2	M8
ILTFA23X1,5M10	23	7	35	8	1,5	M10
ILTFA25X1,5-2M10	25	5	35	8	1,5-2	M10
ILTFA28X1,5-2M10	28	5	35	8	1-1,5	M10
ILTFA28X2M10	28	5	34	-	2	M10
ILTFA28X3M10	28	5	35	8	3	M10
ILTFA30X1M10	30	5	34	-	1	M10
ILTFA30X1,5-2 M10	30	5	35	8	1,5-2	M10
ILTFA30X2,25M10	30	5	34	-	2,25	M10
ILTFA30X3 M10	30	5	35	8	3	M10
ILTFA30X4M10	30	5	34	-	4	M10
ILTFA32X1,5M10	32	-	39	-	1,5	M10
ILTFA32X1,5-2M10	32	5	35	8	1,5-2	M10
ILTFA34X1,5M10	34	5	35	8	1,5	M10
ILTFA35X1 M10	35	5	34	-	1	M10
ILTFA35X1,5-2 M10	35	5	35	8	1,5-2	M10
ILTFA35X2,5M10	35	5	35	8	2,5	M10
ILTFA37X3M10	37	5	34	-	3	M10
ILTFA38M10	38	5	-	-	-	M10
ILTFA38X1,5 M10	38	5	35	8	1,5	M10
ILTFA38X2M10	38	5	35	8	2	M10
ILTFA38X2,5M10	38	5	35	8	2,5	M10
ILTFA38X4,5M10	38	5	35	8	4,5	M10
ILTFA40X1,5 M10	40	-	38	-	1,5	M10
ILTFA40X1,5-2M10	40	5	35	8	1,5-2	M10
ILTFA42X1,5-2M10	42	5	35	8	1,5-2	M10
ILTFA45X1,5-2M10	45	5	35	8	1,5	M10
ILTFA45X2 M10	45	5	20	-	2	M10
ILTFA50X1,5 M10	50	5	35	8	1,5	M10
ILTFA50X2 M10	50	5	35	8	2	M10
ILTFA54X2M10	54	5	34	-	2	M10
ILTFA60X1,5M10	60	5	35	8	1,5	M10
ILTFA60X2M10	60	5	35	8	2	M10
ILTFA70X3M10	70	5	35	8	3	M10
ILTFA40X1,5-2 M12	40	5	35	10	1,5-2	M12
ILTFA42X1,5-2M12	42	5	35	10	1,5-2	M12
ILTFA50X2,5 M12	50	5	35	10	2,5	M12
ILTFA60X2M12B	60	5	39	-	2	M12
ILTFA70X2M12	70	6	52	-	2	M12

THREADED INSERTS FOR OVAL TUBES WITH PRESSED-IN HIGH NUT

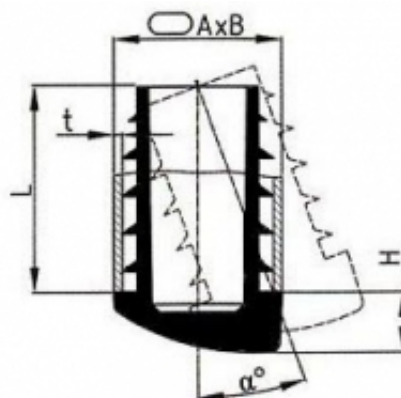
DESCRIPTION	
MATERIAL	NYLON
COLOR	BLACK
NOTE	



CODE	A	B	H	L	L1	T	THREAD	MAX (Kg)
IOFP30X15X1 M8	30	15	5	19,5	20	1	M8	300
IOFP30X15X1, 5 M8	30	15	5	19,5	20	1,5	M8	300
IOFP35X20X1, 5-2M8	35	20	5	19,5	20	1,5-2	M8	300
IOFP35X20X1, 5-2M10	35	20	5	19,5	20	1,5-2	M10	300
IOFP38X20X1, 5-2M8	38	20	5	19,5	20	1,5-3	M8	300
IOFP40X20X1, 5 M8	40	20	5	19,5	20	1,5-4	M8	300
IOFP38X20X1, 5-2M10	38	20	5	19,5	20	1,5-5	M10	300
IOFP40X20X1, 5-2M10	40	20	5	19,5	20	1,5-6	M10	300

ANGLES GLIDES WITH VARIABLE ANGLED SLIDE BASE FOR OVAL TUBES

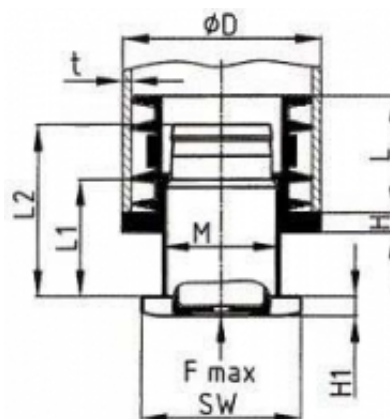
DESCRIPTION	
MATERIAL	PE
COLOR	BLACK
NOTE	



CODE	A	B	H	L	T	ANGLE
IOV30X15X1,5-2	30	15	6,5	24,5	1,5-2	9-21°
IOV38X20X1,5-2	38	20	7,5	24,5	1,5-2	9-21°
IOV40X20X1,5-2	40	20	8	25	1,25	0-20°
IOV48X20X1,5-2	48	20	8	25	1,25	0-20°

ADJUSTABLE FEETS FOR ROUND TUBES

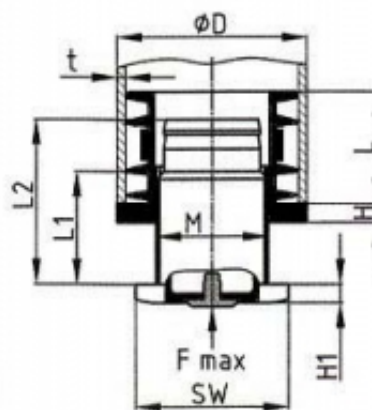
DESCRIPTION	
MATERIAL	NYLON
COLOR	BLACK
NOTE	



CODE	D	H	H1	L	L1	L2	T	SW	THREAD	MAX (Kg)
PRT32X1,5-2	32	5	5	19,7	20	29,5	1,5-2	28	M22	300
PRT32X1,5-2X60	32	5	5	19,7	60	-	1,5-2	28	M22	300
PRT35X1,5-2	35	5	5	29,3	20	29,5	1,5-2	28	M22	300
PRT35X1,5-2X60	35	5	5	29,3	60	-	1,5-2	28	M22	300
PRT38X1,5-2	38	5	5	29,3	20	29,5	1,5-2	28	M22	300
PRT38X1,5-2X60	38	5	5	29,3	60	-	1,5-2	28	M22	300
PRT40X1,5-2	40	5	5	29,3	20	29,5	1,5-2	28	M22	300
PRT40X1,5-2X60	40	5	5	29,3	60	-	1,5-2	28	M22	300
PRT42X1,5-2	42	5	5	29,3	28	40,5	1,5-2	41	M30	300
PRT45X1,5-2	45	5	5	29,3	28	40,5	1,5-2	41	M30	300
PRT48X1,5-2	48	5	5	29,3	20	29,5	1,5-2	28	M22	300
PRT48X1,5-2X60	48	5	5	29,3	60	-	1,5-2	28	M22	300
PRT50X1,5-2	50	5	5	29,3	28	40,5	1,5-2	41	M30	300
PRT60X1,5-2	60	6	10	34,7	40,3	-	1,5-2	58	M42	300
PRT80X1,5-2X40,3	80	6	10	34,7	40,3	-	1,5-2	74	M56	300

ADJUSTABLE FEETS FOR ROUND TUBES WITH SLIP STOPPER

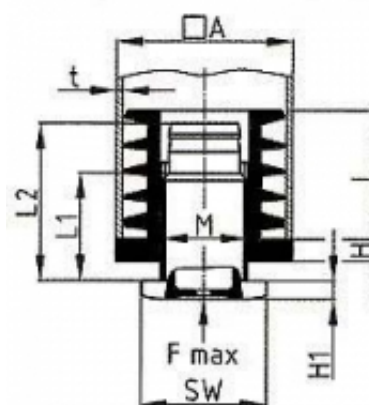
DESCRIPTION	
MATERIAL	NYLON
COLOR	BLACK
NOTE	



CODE	D	H	H1	L	L1	L2	T	SW	THREAD	MAX (Kg)
PRTA32X1, 5-2	32	5	5	19,7	20	29,5	1,5-2	28	M22	300
PRTA35X1, 5-2	35	5	5	29,3	20	29,5	1,5-2	28	M22	300
PRTA38X1, 5-2	38	5	5	29,3	20	29,5	1,5-2	28	M22	300
PRTA40X1, 5-2	40	5	5	29,3	20	29,5	1,5-2	28	M22	300
PRTA42X1, 5-2	42	5	5	29,3	28	40,5	1,5-2	41	M30	300
PRTA45X1, 5-2	45	5	5	29,3	28	40,5	1,5-2	41	M30	300
PRTA48X1, 5-2	48	5	5	29,3	20	29,5	1,5-2	28	M22	300
PRTA50X1, 5-2	50	5	5	29,3	28	40,5	1,5-2	41	M30	300
PRTA60X1, 5-2	60	6	10	34,7	40,3		1,5-2	58	M42 X 2	300
PRTA80X1, 5-2	80	6	10	34,7	40,3		1,5-2	74	M56 X 2	300

ADJUSTABLE FEETS FOR SQUARE TUBES

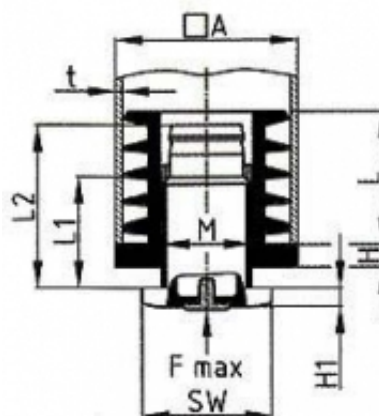
DESCRIPTION	
MATERIAL	NYLON
COLOR	BLACK
NOTE	



CODE	A	H	H1	L	L1	L2	T	SW	THREAD	MAX (Kg)
PRQ20X20 X1,5-2	20	5	4	16,7	24	-	1,5-2	20	M10	100
PRQ22X22 X1,5-2	22	5	4	16,7	24	-	1,5-2	20	M10	100
PRQ25X25 X1,5-2	25	5	5	20	22	29,5	1,5-2	24	M16	150
PRQ25X25 X1,5-2X60	25	5	5	19,5	60	-	1,5-2	28	M16	150
PRQ30X30 X1,5-2	30	5	5	19,5	20	29,5	1,5-2	28	M22	300
PRQ30X30 X1,5-2X60	30	5	5	19,5	60	-	1,5-2	28	M22	300
PRQ30X30 X3	30	5	5	29,3	22,5	29,5	3	24	M16	150
PRQ35X35 X1,5-2	35	5	5	29,3	21,5	29,5	1,5-2	28	M22	300
PRQ35X35 X1,5-2X60	35	5	5	29,3	60	-	1,5-2	28	M22	300
PRQ40X40 X1,5-2	40	5	5	29,3	21,5	29,5	1,5-2	28	M22	300
PRQ40X40 X1,5-2X60	40	5	5	29,3	60	-	1,5-2	28	M22	300
PRQ45X45 X1,5-2	45	5	5	29,3	28	40,5	1,5-2	41	M30	300
PRQ50X50 X1,5-2	50	5	5	29,3	28	40,5	1,5-2	41	M30	300
PRQ60X60 X1,5-2	60	6	10	34,8	37	-	1,5-2	58	M42 X 2	300

ADJUSTABLE FEETS FOR SQUARE TUBES WITH SLIP STOPPER

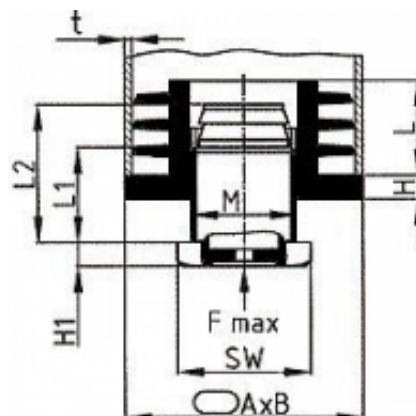
DESCRIPTION	
MATERIAL	NYLON
COLOR	BLACK
NOTE	



CODE	A	H	H1	L	L1	L2	T	SW	THREAD	MAX (Kg)
PRQA25X2 5X1,5-2	25	5	5	20	22,5	29,5	1,5-2	24	M16	150
PRQA30X3 0X1,5-2	30	5	5	19,5	20	29,5	1,5-2	28	M22	300
PRQA30X3 0X3	30	5	5	19,5	22,5	29,5	3	24	M16	150
PRQA35X3 5X1,5-2	35	5	5	29,3	21,5	29,5	1,5-2	28	M22	300
PRQA40X4 0X1,5-2	40	5	5	29,3	19,5	29,5	1,5-2	28	M22	300
PRQA45X4 5X1,5-2	45	5	5	29,3	28	40,5	1,5-2	41	M30	300
PRQA50X5 0X1,5-2	50	5	5	29,3	28	40,5	1,5-2	41	M30	300
PRQA60X6 0X1,5-2	60	6	10	34,8	37	-	1,5-2	58	M42 X 2	300

ADJUSTABLE FEETS FOR OVAL TUBES

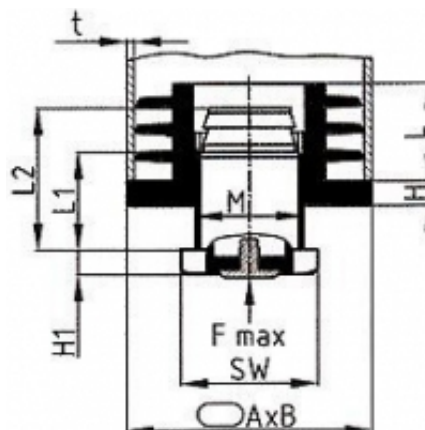
DESCRIPTION	
MATERIAL	NYLON
COLOR	BLACK
NOTE	



CODE	H	H1	L	L1	L2	T	SW	THREAD	MAX (Kg)	AxB
PRO50X30 X1,5-2	5	5	20	20	29,5	1,5-2	28	M22	300	50x30

ADJUSTABLE FEETS FOR OVAL TUBES WITH SLIP STOPPER

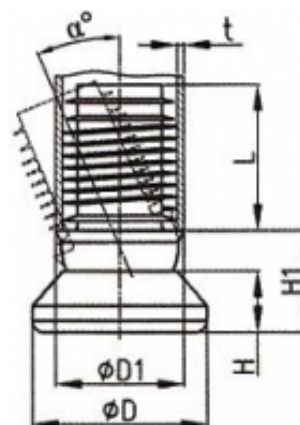
DESCRIPTION	
MATERIAL	NYLON
COLOR	BLACK
NOTE	



CODE	H	H1	L	L1	L2	T	SW	THREAD	MAX (Kg)	AxB
PROA50X3 0X1,5-2	5	5	20	20	29,5	1,5-2	28	M22	300	50x30

HEAVY DUTY TILT GLIDES WITH PLASTIC SLIDE BASE

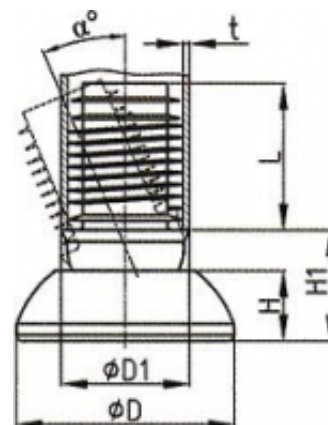
DESCRIPTION	
MATERIAL	NYLON
COLOR	BLACK
NOTE	



CODE	D	D1	H	H1	L	T	ANGLE
PIN19-25	25	19	10	18	24,5	1,5-2	19 (-22)
PIN20-25	25	20	10	18,5	24,5	1,5-2	19 (-22)
PIN22-25	25	22	10	18,5	24,5	1,5-2	19 (-22)
PIN25-25	25	25	10	18	24,5	1,5-2	19 (-22)
PIN28-25	25	28	10	-	24,5	1,5-2	19 (-22)
PIN19-30	30	19	10,5	19	24,5	1,5-2	19 (-22)
PIN20-30	30	20	10,5	19	24,5	1,5-2	19 (-22)
PIN22-30	30	22	10,5	19	24,5	1,5-2	19 (-22)
PIN25-30	30	25	10,5	19	24,5	1,5-2	19 (-22)

HEAVY DUTY TILT GLIDES WITH SOFT NON SLIPPING PLASTIC SLIDE BASE

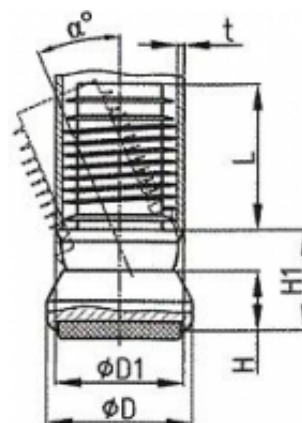
DESCRIPTION	
MATERIAL	NYLON + PVC
COLOR	BLACK
NOTE	



CODE	D	D1	H	H1	L	T	ANGLE
PINP19-37	37	19	12	20	24,5	1,5-2	19 (-22)
PINP20-37	37	20	12	20	24,5	1,5-2	19 (-22)
PINP22-37	37	22	12	20	24,5	1,5-2	19 (-22)
PINP25-37	37	25	12	20	24,5	1,5-2	19 (-22)
PINP28-37	37	28	12	20	24,5	1,5-2	19 (-22)

HEAVY DUTY TILT GLIDES WITH FELT SLIDE BASE

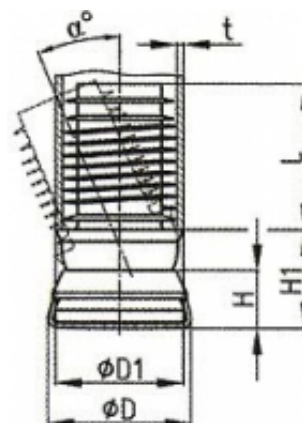
DESCRIPTION	
MATERIAL	NYLON + FELT
COLOR	BLACK
NOTE	



CODE	D	D1	H	H1	L	T	ANGLE
PINF19-25	25	19	-	-	24,5	1,5-2	19 (-22)
PINF20-25	25	20	10	18,5	24,5	1,5-2	19 (-22)
PINF22-25	25	22	11	18,5	24,5	1,5-2	19 (-22)
PINF25-25	25	25	11	18,5	24,5	1,5-2	19 (-22)
PINF28-25	25	28	-	-	24,5	1,5-2	19 (-22)
PINF19-30	30	19	-	-	24,5	1,5-2	19 (-22)
PINF20-30	30	20	11	19,5	24,5	1,5-2	19 (-22)
PINF22-30	30	22	11	19,5	24,5	1,5-2	19 (-22)
PINF25-30	30	25	11	19	24,5	1,5-2	19 (-22)
PINF28-30	30	28	-	-	24,5	1,5-2	19 (-22)

HEAVY DUTY TILT GLIDES WITH STAINLESS STEEL SLIDE BASE

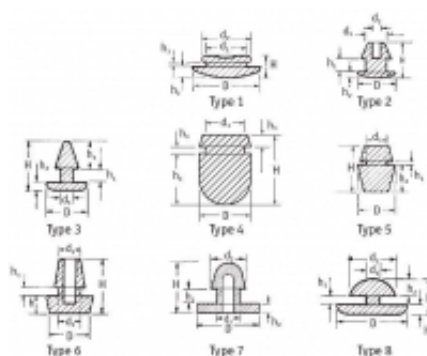
DESCRIPTION	
MATERIAL	NYLON + STEEL
COLOR	BLACK
NOTE	



CODE	D	D1	H	H1	L	T	ANGLE
PIA19-25	25	19	10	17,5	24,5	1,5-2	19 (-22)
PIA20-25	25	20	10	18	24,5	1,5-2	19 (-22)
PIA22-25	25	22	10	18	24,5	1,5-2	19 (-22)
PIA25-25	25	25	10	18	24,5	1,5-2	19 (-22)
PIA28-25	25	28	10	17	24,5	1,5-2	19 (-22)
PIA19-30	30	19	10	17	24,5	1,5-2	19 (-22)
PIA20-30	30	20	10	17	24,5	1,5-2	19 (-22)
PIA22-30	30	22	10	17	24,5	1,5-2	19 (-22)
PIA25-30	30	25	10	17,5	24,5	1,5-2	19 (-22)
PIA28-30	30	28	10	17	24,5	1,5-2	19 (-22)

GROMMET FEET

DESCRIPTION	
MATERIAL	PVC
COLOR	Black
NOTE	Ideal for housings and cases Easy to fit; simply push into punched or drilled holes



CODE	D	D1	D2	H	H1	H2	H3	TYPE
PG1-13,1	19	13,1	12	6,5	0,8	3,2	-	1
PG1-9,8	15,4	9,8	12,7	7	1,6	2,7	-	1
PG1-12,8	19	12,8	15,9	7,5	1,6	3,2	-	1
PG2-4,5	10,3	4,5	2,2	7,6	1,6	2	-	2
PG2-6,8	15,8	6,8	4	9,7	1,5	5	-	2
PG3-3,2	7,9	3,2	-	8,3	3,2	1,6	3,5	3
PG3-3,7	7,9	3,7	-	7	1,6	2,4	3	3
PG4-9,5	12,5	9,5	-	17	1,6	12	3,5	4
PG5-6,9	10,9	6,9	-	12,8	0,7	8,1	-	5
PG6-6	12	6	5,8	15,2	2,1	4,6	-	6
PG7-12,5	25,3	12,5	15,3	20	5	4	-	7
PG8-11,1	17,5	11,1	13,3	10	2,6	4	4	8

ARTICULATED FEET - PP BASE

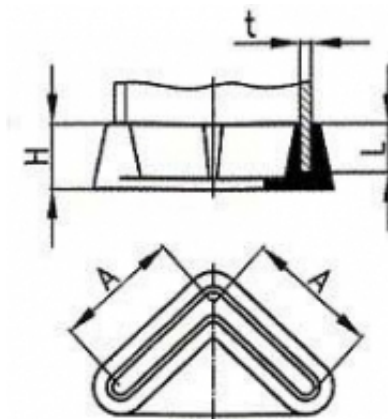
DESCRIPTION	
MATERIAL	PP - STEEL
COLOR	BLACK
NOTE	



CODE	D	L
PPA-M8-30-30	30	30
PPA-M10-30-30	30	30
PPA-M10-30-40	30	40
PPA-M10-30-50	30	50
PPA-M10-30-70	30	70
PPA-M8-30-80	30	80
PPA-M8-38-30	38	30
PPA-M10-38-30	38	30
PPA-M12-38-30	38	30
PPA-M8-38-40	38	40
PPA-M10-38-40	38	40
PPA-M10-38-50	38	50
PPA-M12-38-60	38	60
PPA-M12-38-70	38	70
PPA-M8-38-80	38	80
PPA-M10-38-80	38	80
PPA-M12-38-90	38	90
PPA-M10-48-30	48	30
PPA-M8-48-40	48	40
PPA-M10-48-40	48	40
PPA-M8-48-50	48	50
PPA-M10-48-50	48	50
PPA-M10-48-60	48	60
PPA-M10-48-100	48	100
PPA-M12-58-100	58	100

ANGLED CAPS FEETS FOR PROFILES

DESCRIPTION	
MATERIAL	PE
COLOR	BLACK
NOTE	



CODE	A	H	L	T
SPA25X25	25	11,5	9	1,5-2
SPA30X30	30	10	8	1,2-5

CLAMPING SADDLE FEETS

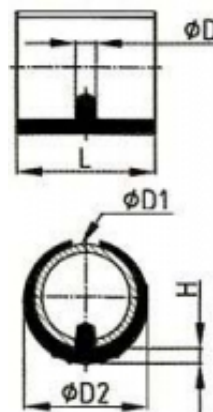
DESCRIPTION	
MATERIAL	NYLON
COLOR	BLACK
NOTE	



CODE	A	D	D1	H	L
SPTP10	19,5	0	10	4,5	30
SPTP14	20	5	14	3,5	26
SPTP20	23,5	5,7	18-20	4,5	30
SPTP30	32,5	5,7	28-30	5	45
SPTP35	37	6,4	33-35	4,5	45

LIGHT DUTY CLAMPING SADDLE FEETS

DESCRIPTION	
MATERIAL	NYLON
COLOR	BLACK
NOTE	



CODE	D	D1	D2	H	L
SPTT14-16	5,5	14-16	18,5	3,5	18
SPTT16-18	5,5	16-18	20,5	3,5	19
SPTT18-20	5,5	18-20	22	3,5	20
SPTT20-22	5,5	20-22	24,5	4	22
SPTT24-26X5,5	5,5	24-26	28	5	25
SPTT24-26X7,5	7,5	24-26	28,5	5	25
SPTT28,3	7,5	28,3	32	5,5	30

SQUARE TUBE CONNECTORS

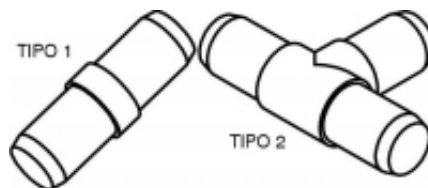
DESCRIPTION	
MATERIAL	PE
COLOR	BLACK
NOTE	



CODE	METAL	TUBE THICKNESS	AxB
CTQ25X25	SI	1,5	25x25

ROUND TUBE CONNECTORS

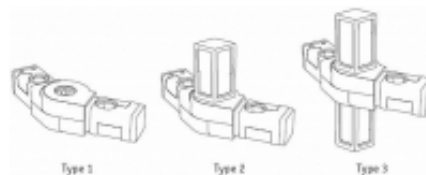
DESCRIPTION	
MATERIAL	PE
COLOR	BLACK
NOTE	



CODE	D	METAL	TUBE THICKNESS	TYPE
CTT20-1	20	si	1,5	1
CTT20B-1	20	no	1,5	1
CTT25-1	25	si	1,5	1
CTT25B-1	25	no	1,5	1
CTT25-2	25	si	1	2
CTT25B-2	25	no	1	2
CTT30-1	30	si	1,5	1
CTT30B-1	30	no	1,5	1
CTT32-1	32	si	1,5	1
CTT32B-1	32	no	1,5	1
CTT32-2	32	si	1	2
CTT32B-2	32	no	1	2

HINGED TUBE CONNECTORS

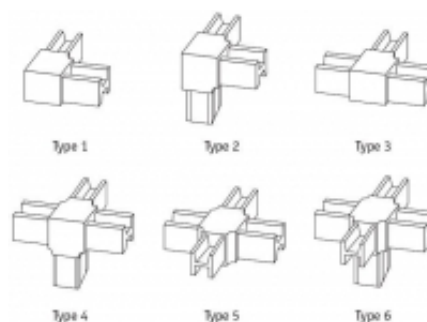
DESCRIPTION	
MATERIAL	Nylon
COLOR	Black
NOTE	



CODE	ANGLE	TUBE THICKNESS	AxB	TYPE
CTCE1-25X45-195	45 - 195	1,5	25X25	1
CTCE2-25X60-300	60 - 300	1,5	25X25	2
CTCE2-25X45-195	45 - 195	1,5	25X25	2
CTCE3-25X60-300	60 - 300	1,5	25X25	3
CTCE3-25X45-195	45 - 195	1,5	25X25	3
CTCE1-30X45-200	45 - 200	2	30X30	1
CTCE2-30X45-200	45 - 200	2	30X30	2
CTCE3-30X45-200	45 - 200	2	30X30	3

MULTI-WAY TUBE CONNECTORS FOR SQUARE TUBES

DESCRIPTION	
MATERIAL	Nylon
COLOR	Black with or without Steel Core
NOTE	Connectors are supplied in two parts held together when fitted.



CODE	METAL	TUBE THICKNESS	AxB	TYPE
CTQMV1-20B	no	1,5	20	1
CTQMV2-20B	no	1,5	20	2
CTQMV3-20B	no	1,5	20	3
CTQMV4-20B	no	1,5	20	4
CTQMV5-20B	no	1,5	20	5
CTQMV6-20B	no	1,5	20	6
CTQMV7-20B	no	1,5	20	7
CTQMV1-25B	no	1,5	25	1
CTQMV2-25B	no	1,5	25	2
CTQMV3-25B	no	1,5	25	3
CTQMV4-25B	no	1,5	25	4
CTQMV5-25B	no	1,5	25	5
CTQMV6-25B	no	1,5	25	6
CTQMV7-25B	no	1,5	25	7
CTQMV1-30B	no	2	30	1
CTQMV2-30B	no	2	30	2
CTQMV3-30B	no	2	30	3
CTQMV4-30B	no	2	30	4
CTQMV5-30B	no	2	30	5
CTQMV6-30B	no	2	30	6
CTQMV7-30B	no	2	30	7

CONNECTORS

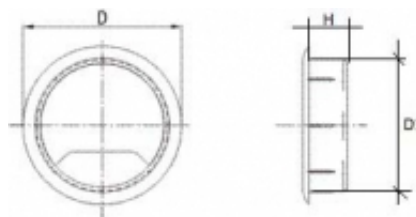
DESCRIPTION	
MATERIAL	POLYETHYLENE (PE-HD)
COLOR	NATURAL
NOTE	



CODE	INNER DIAMETER	TYPE
CT-T6	6	T
CT-Y11	11	Y

ABS ROUND CABLE DUCTS FOR DESK

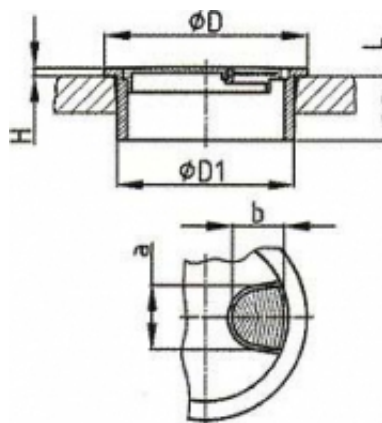
DESCRIPTION	
MATERIAL	ABS
COLOR	BLACK-WHITE-BROWN-GREY-SILVER-BLACK/SILV.-SILV./BLACK
NOTE	



CODE	D	D1	H	COLOR
PS60N	72	60	19	NERO
PS60B	72	60	19	BIANCO
PS60M	72	60	19	MARRONE
PS60G	72	60	19	GRIGIO
PS60A	72	60	19	ARGENTO
PS60NA	72	60	19	NERO - ARGENTO
PS60AN	72	60	19	ARGENTO - NERO
PS65N	78	65	19	NERO
PS65B	78	65	19	BIANCO
PS65M	78	65	19	MARRONE
PS65G	78	65	19	GRIGIO
PS65A	78	65	19	ARGENTO
PS65NA	78	65	19	NERO - ARGENTO
PS65AN	78	65	19	ARGENTO - NERO
PS80N	96	80	19	NERO
PS80B	96	80	19	BIANCO
PS80M	96	80	19	MARRONE
PS80G	96	80	19	GRIGIO
PS80A	96	80	19	ARGENTO
PS80NA	96	80	19	NERO - ARGENTO
PS80AN	96	80	19	ARGENTO - NERO

CHROMED STEEL ROUND CABLE DUCTS FOR DESK

DESCRIPTION	
MATERIAL	STEEL
COLOR	CHROME
NOTE	



CODE	A	B	D	D1	H	L
PSC/60	24	21	66	59+1	1,3	22
PSC/60B	29	26	66	59+1	1,3	22
PSC/80	29	26	88	79+1	1,3	22
PSC/80B	24	21	88	79+1	1,3	22



PANOZZO s.r.l.

Via del Calendone n° 50/H

Tel. +39 039 9275 363

FAX. +39 039 9275 321

PEC: panozzosrl@pcert.it

panozzosrl.com

